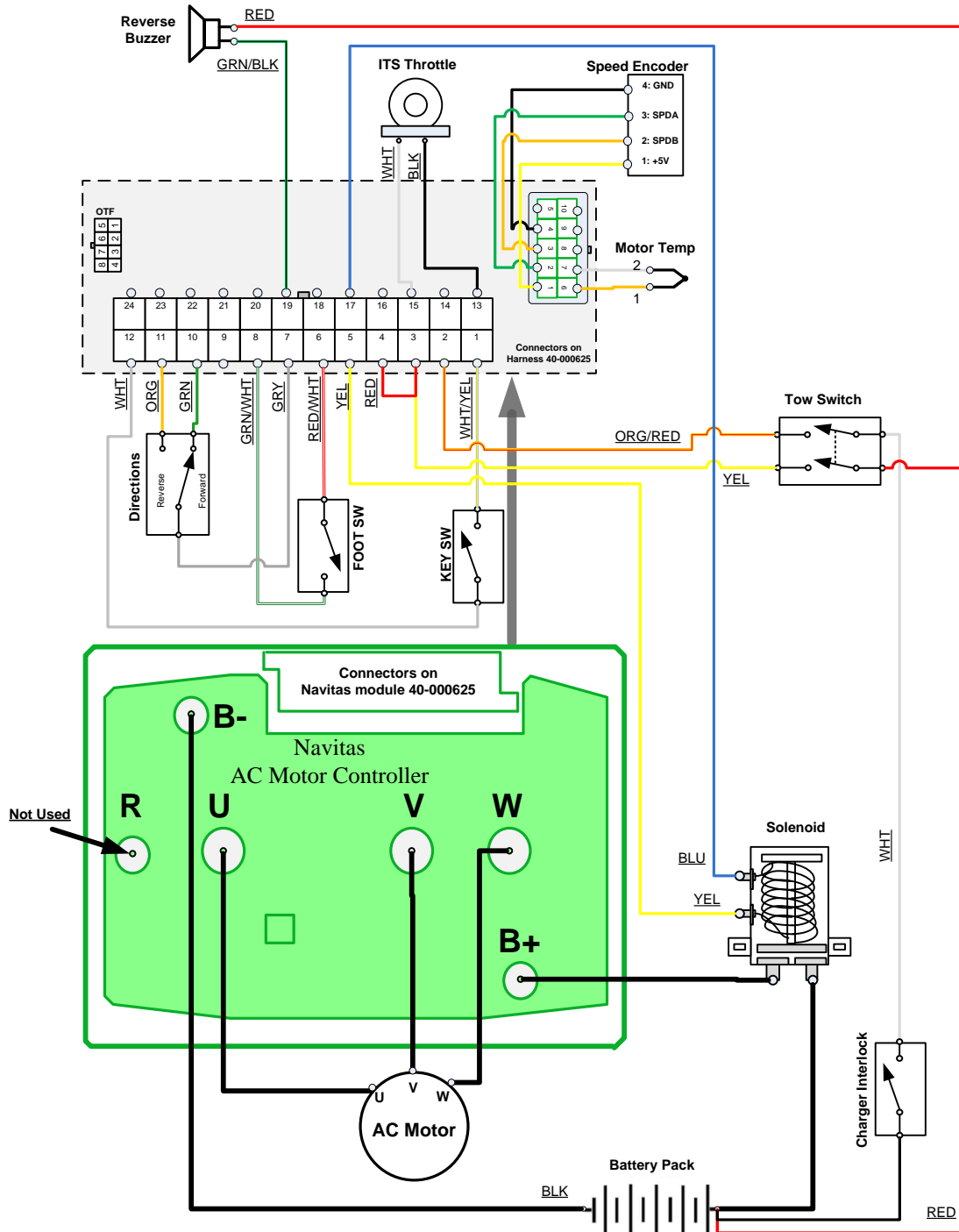


## Wiring Diagram – 1268 ITS Conversion Kit Using TAC2 Module PN: 40-000625



AC Motor Adapter

Vehicle Harness

On The Fly Programmer

24 POS Molex 39-28-1243

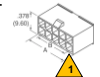
8 POS Molex  
39-01-3089 Housing  
39-00-0040 Pin

- P1: KEY IN
- P2: CHARGER INTERLOCK
- P3: LOGIC POWER / TOW SW
- P4: LOGIC POWER / TOW SW
- P5: LOGIC POWER
- P6: LOGIC POWER
- P7: LOGIC POWER
- P8: FOOT SWITCH
- P9: NA
- P10: FORWARD IN
- P11: REVERSE IN
- P12: LOGIC POWER
- P13: ITS -
- P14: GND
- P15: ITS +
- P16: NA
- P17: MAIN SOLENOID
- P18: NA
- P19: REVERSE BUZZER
- P20: NA
- P21: NA
- P22: NA
- P23: NA
- P24: NA



- P1: +12V POLY
- P2: OTF REGEN
- P3: OTF SPEED
- P4: OTF ACCELERATION
- P5: +5V EXT
- P6: OTF LOCK
- P7: REVERSE BUZZER
- P8: GND POLY

AC Motor Adapter  
10 POS Molex  
39-01-3109 Housing  
39-00-0040 Pin



- P1: +5V PF
- P2: Encoder A In
- P3: Encoder B In
- P4: Digital GND
- P5: Encoder C In
- P6: Motor Temperature In
- P7: Analog GND
- P8: NA
- P9: Key In
- P10: Motor Brake Solenoid Release
- P1: YEL
- P2: GRN
- P3: BRN
- P4: GRY
- P5: NA
- P6: ORG
- P7: WHT
- P8: NA
- P9: NA
- P10: NA

### Revision History

20220110 Original