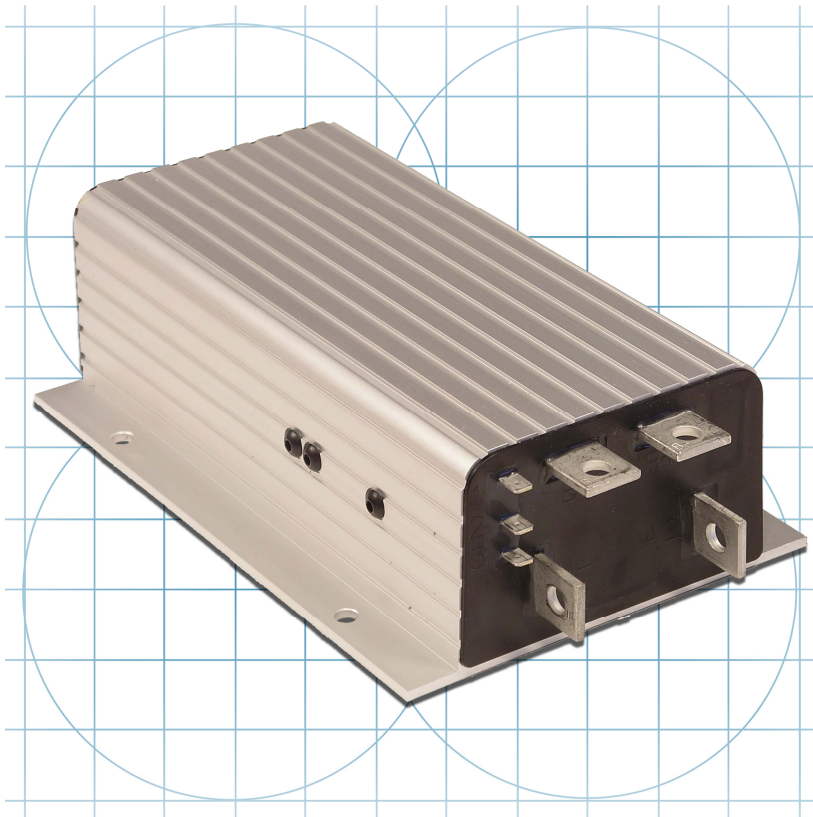


DESCRIPTION

Navitas Vehicle Systems Ltd. CTL line of DC series wound/permanent magnet motor controllers harnesses the power of high efficiency MOSFETs to provide smooth, flexible & reliable control.

Ease of installation and tuning make the CTL line of controllers a great option for both new OEM vehicles and retrofit projects. CTL controllers are adjustable, allowing smooth starting and stopping and an adjustable top speed.

Designed for the rigorous demands of the material handling industry, the CTL family of motor controllers is also suitable for other applications like golf cars, burden carriers, airport ground service equipment, utility vehicles, and more.



KEY FEATURES

- Compact size and low weight
- Up to 450 amps peak current
- Adjustable current limits, acceleration rate, and plugging strength
- 1204 and 1205 style footprints
- Safe sequencing
- Rugged anodized aluminum housing
- Emergency reverse function
- Resistive or voltage throttle input

BATTERY VOLTAGE

- 12v, 24-36v, 36-48v Volt DC Input

OUTPUT CAPABILITY

- Up to 450 amps peak armature current

APPLICATIONS

- Golf cars
- Burden carriers
- Material Handling Equipment
- Automated Guided Vehicles
- Aerial Lift Platforms
- Airport Ground Service Equipment

Distributed By:



FEATURES AND BENEFITS

Flexibility

- Current limit can be lowered to limit to help protect the motor
- Adjustable acceleration rate allows fine tuning of how fast the vehicle will reach top speed
- Plugging rate can be adjusted for smooth stopping and direction changes which improves overall performance

Control

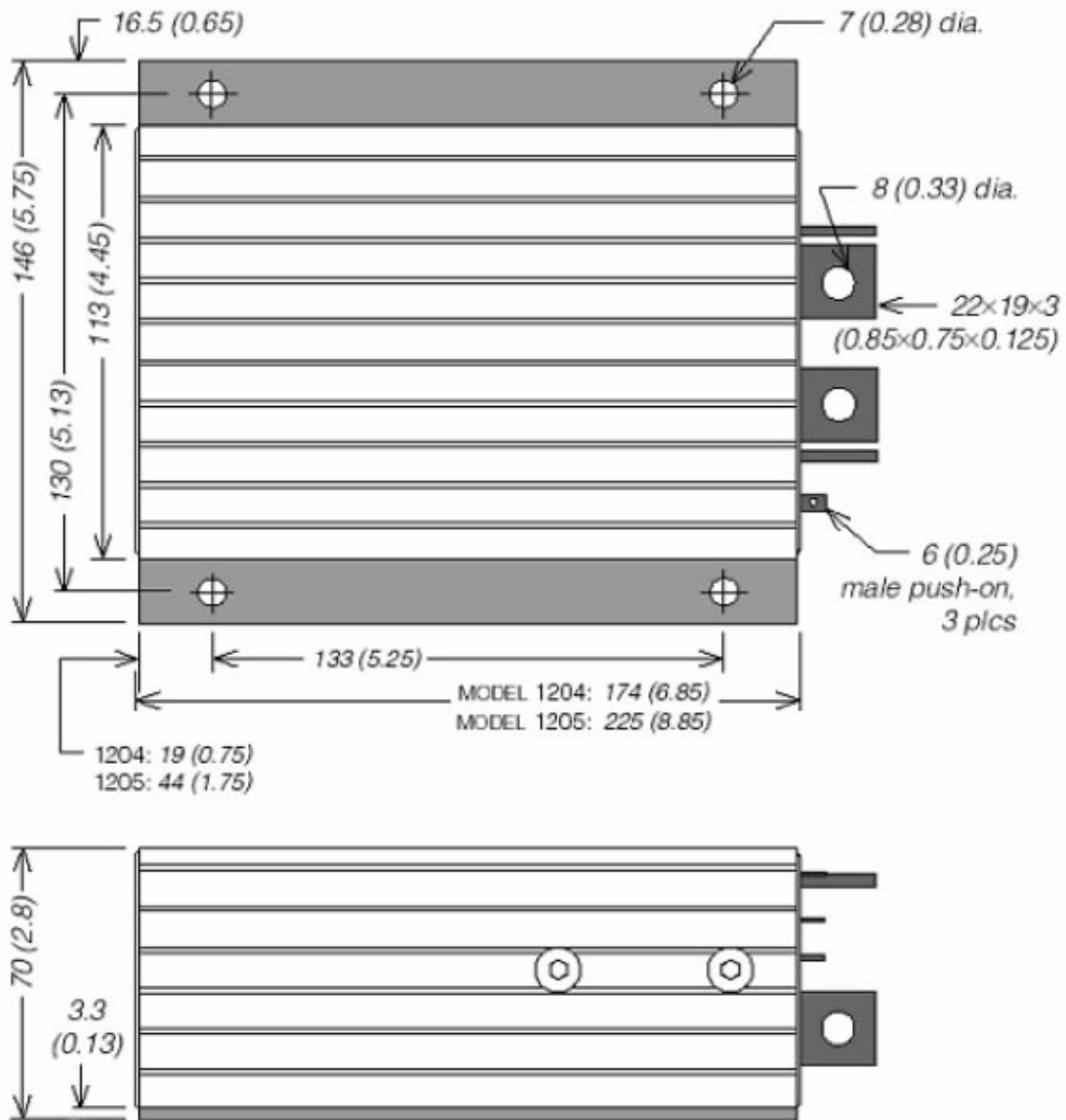
- High efficiency MOSFETs provide improvements to low end torque, range and battery life
- Current limiting provides throttle position control over braking to improve drivability and safety

Safety

- Safe sequencing prevents unsafe controller operation if the key switch is turned on while the throttle is applied
- Thermal protection provides over temperature protection and ensures no damage under almost any thermal condition
- Environmental protection is ensured with a factory sealed, factory serviceable anodized aluminum housing
- Emergency reverse (belly button switch) functionality for applications like electric pallet jacks

Note: Not all features are available on all models. See model chart or contact Navitas for additional information about specific features on a particular model.

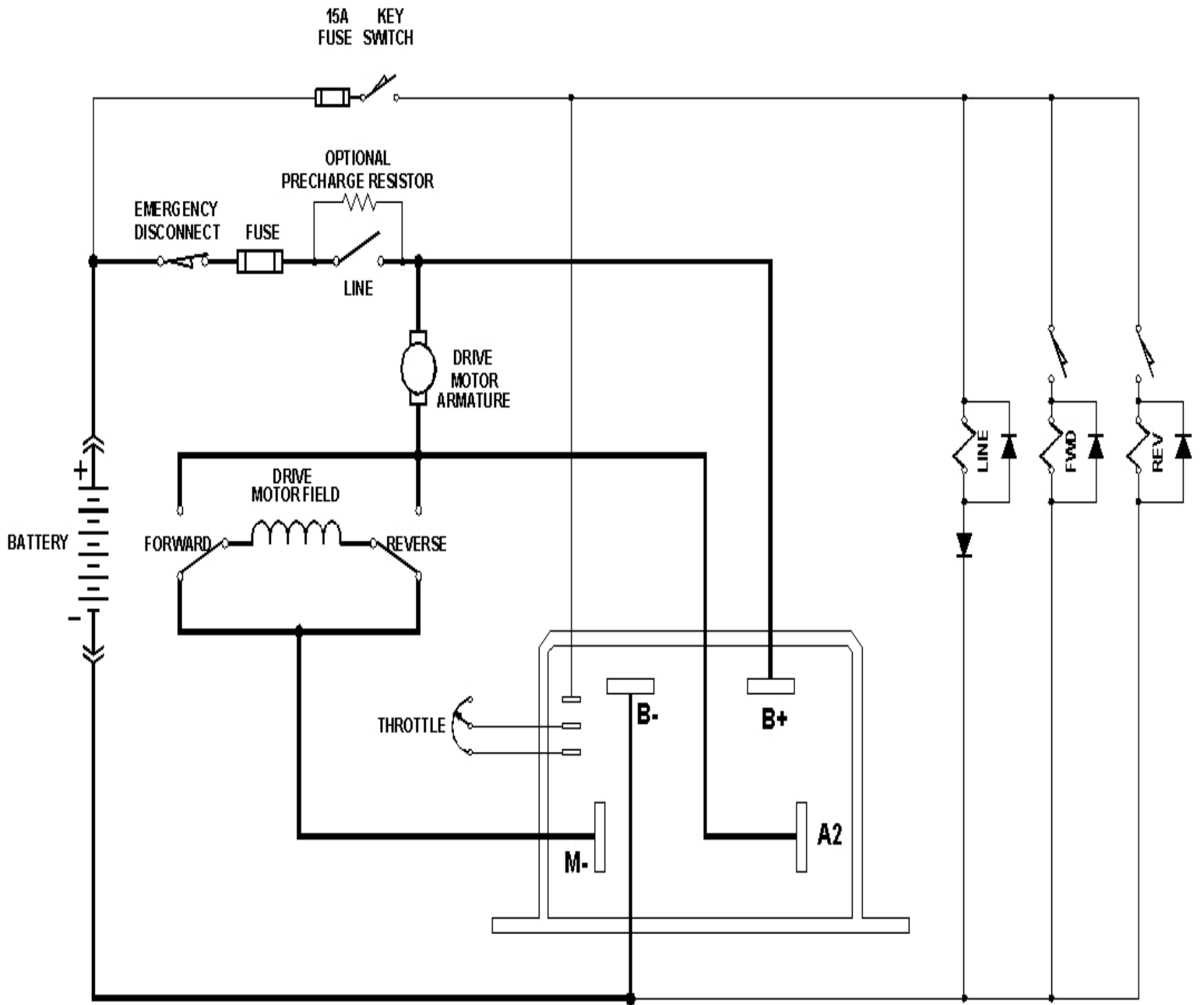
DIMENSIONS



Environmental

- Switching Frequency: 15kHz
- Operating Temperature Range: -25°C to 70°C (controller temperature)
- Stand By Current: <20 mA
- Physical drop-in replacement for 1204/1205 style motor controllers

TYPICAL WIRING DIAGRAM





MODEL CHART

Model	Style	Voltage	Amps	Throttle	High Pedal Disable	Belly Switch	Plugging
CTL-2025	1204	12	275	0-5K	YES	NO	YES
CTL-2014	1204X	12	275	5K-0	NO	YES	YES
CTL-2022	1205	12	400	5K-0	NO	NO	YES
CTL-2000	1204	24-36	275	0-5K	YES	NO	YES
CTL-2000-05	1204	24-36	275	0-5V	YES	NO	YES
CTL-2200	1204	24-36	275	0-5K	YES	NO	NO
CTL-2006	1204X	24-36	275	0-5K	YES	YES	YES
CTL-2012	1205	24-36	400	0-5K	YES	NO	YES
CTL-2001	1205	24-36	400	0-5K	YES	NO	YES
CTL-2010	1205	24-36	400	5K-0	NO	NO	YES
CTL-2005	1205X	24-36	400	5K-0	YES	YES	YES
CTL-2023	1204	36-48	275	0-5K	YES	NO	YES
CTL-2020	1205	36-48	350	0-5K	YES	NO	YES
CTL-2021	1204	36-48	450	0-5K	YES	NO	YES

Note: Additional models available. Please contact Navitas with required specifications. For peak currents required above 450amps, please see Navitas' TSE line of programmable series wound motor controllers. Specifications are subject to change without notice.

Navitas Vehicle Systems Ltd.
500 Dotzert Court
Waterloo, Ontario N2L 6A7 Canada
Phone: 1-519-725-7871
Fax: 1-519-725-1645
www.navitastechnologies.com
info@navitastechnologies.com