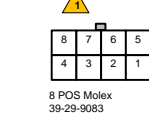
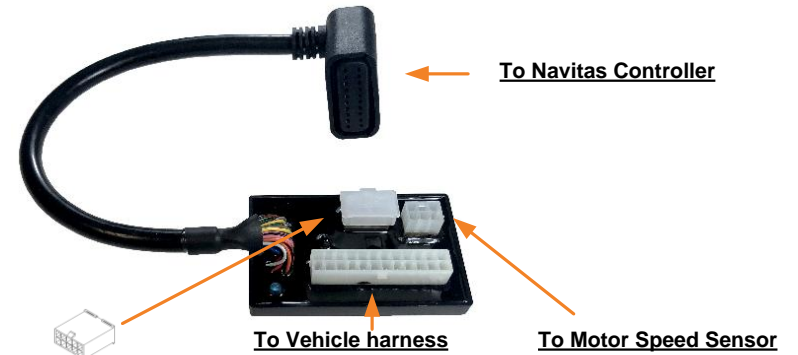
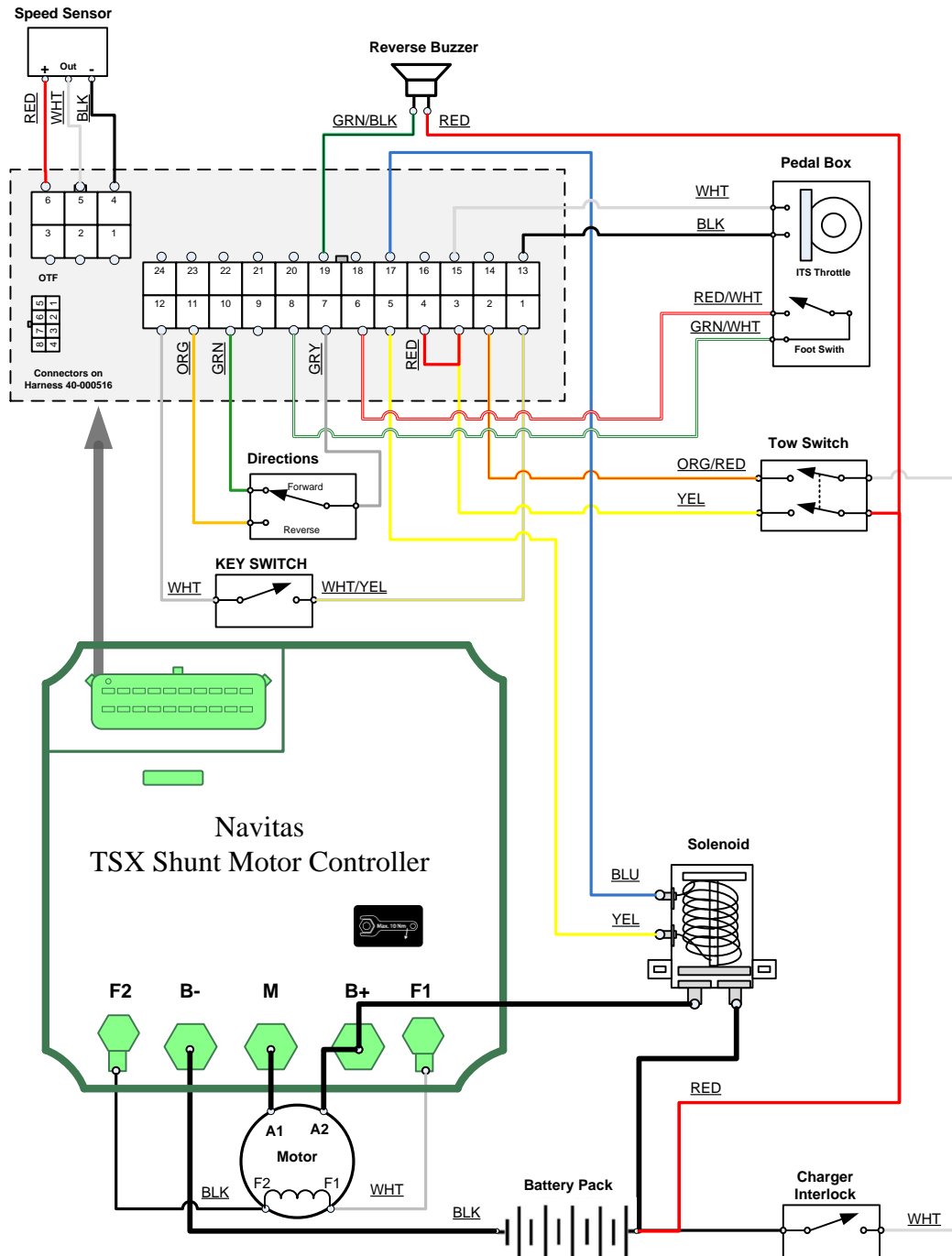


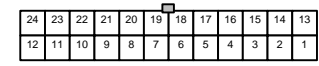
Wiring Diagram – 1264/1268 ITS

Using TSX Harness Module PN: 40-000516



On The Fly Programmer

- P1: -12V
- P2: OTF REGEN
- P3: OTF SPEED
- P4: OTF ACCELERATION
- P5: +5V
- P6: OTF LOCK
- P7: REVERSE BUZZER
- P8: GND



24 POS Molex 39-28-1243

- P1: KEY IN
- P2: CHARGER INTERLOCK
- P3: LOGIC POWER / TOW SW
- P4: LOGIC POWER / TOW SW
- P5: LOGIC POWER
- P6: LOGIC POWER
- P7: LOGIC POWER
- P8: FOOT SWITCH
- P9: NA
- P10: FORWARD IN
- P11: REVERSE IN
- P12: LOGIC POWER
- P13: ITS -
- P14: GND
- P15: ITS +
- P16: NA
- P17: MAIN SOLENOID
- P18: NA
- P19: REVERSE BUZZER
- P20: NA
- P21: NA
- P22: NA
- P23: NA
- P24: NA

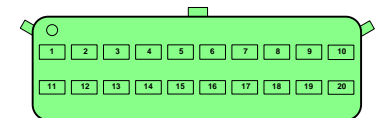
To Motor Speed Sensor



6 POS Molex 39-28-1063

- P1: NA
- P2: NA
- P3: NA
- P4: GND
- P5: SPEED SENSOR
- P6: +12V

Navitas TSX DC Shunt Controller



Revision History

20210415 Original

- P1: OTF LOCK
- P2: XCAN_P
- P3: XCAN_N
- P4: SPEED SENSOR SIGNAL
- P5: CHARGER INTERLOCK
- P6: REV IN
- P7: FWD IN
- P8: KEY
- P9: GND
- P10: LOGIC POWER
- P11: +5V EXT
- P12: OTF ACCELERATION
- P13: OTF SPEED
- P14: OTF REGEN
- P15: THROTTLE IN
- P16: +12V POLY
- P17: FOOT SWITCH
- P18: GND POLY
- P19: REVERSE BUZZER
- P20: LINE CONTACTOR