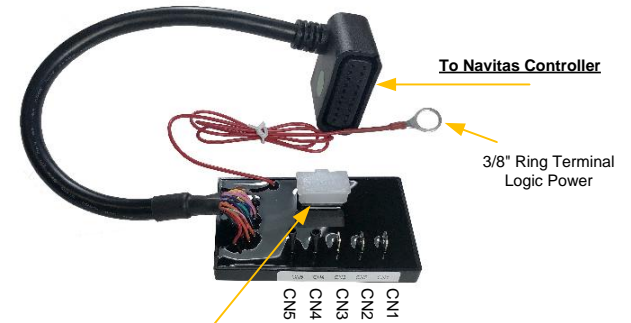
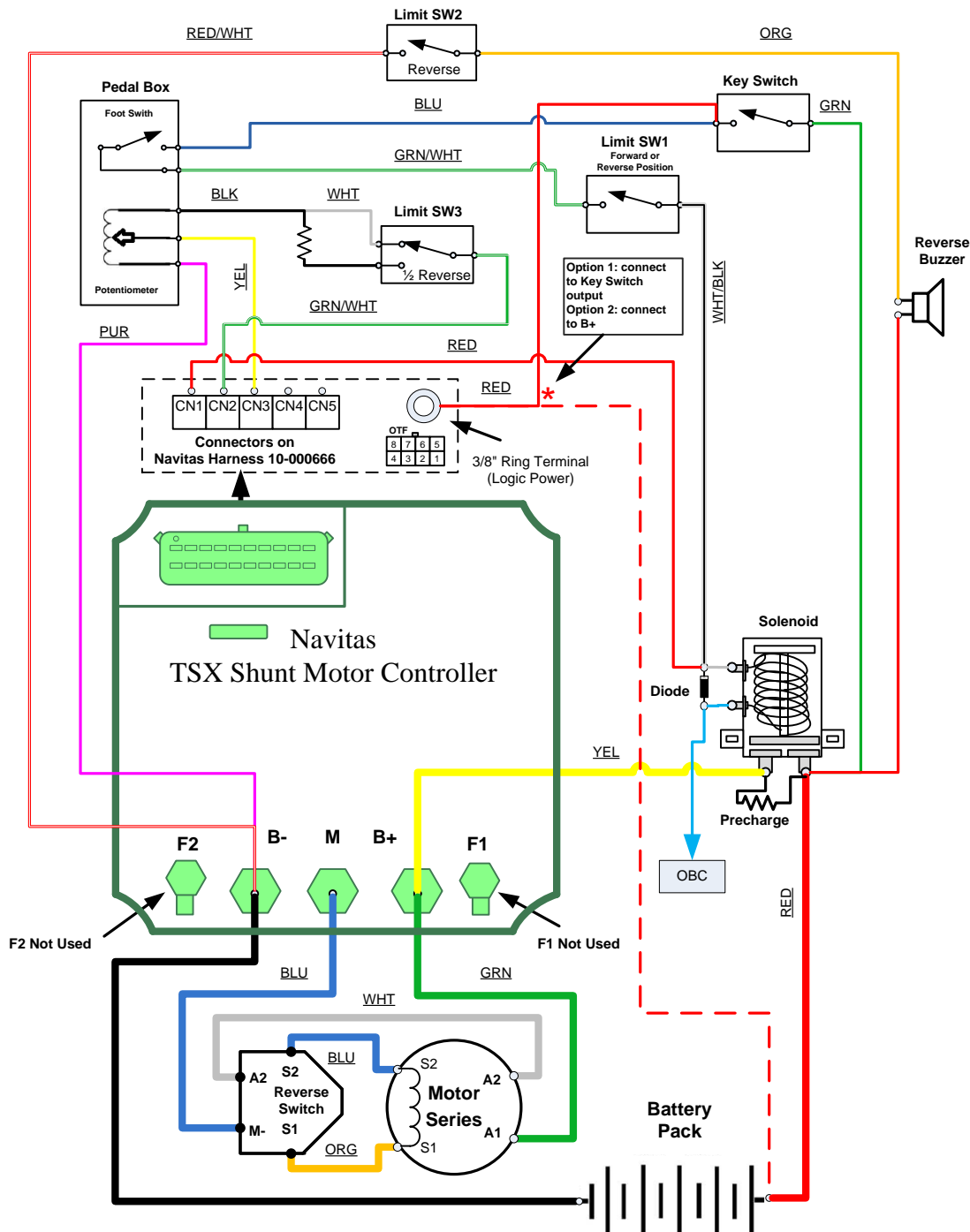


## Wiring Diagram – Club Car Series

Using TSX Harness Navitas PN: 10-000666



8	7	6	5
4	3	2	1

8 POS Molex  
39-01-3089 Housing  
39-00-0040 Pin

### On The Fly Programmer

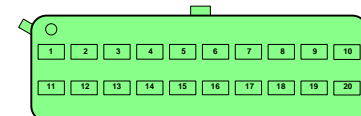
- P1: +12V POLY
- P2: OTF REGEN
- P3: OTF SPEED
- P4: OTF ACCELERATION
- P5: +5V EXT
- P6: OTF LOOK
- P7: REVERSE BUZZER
- P8: GND POLY

### To OEM vehicle harness

62650-1 QC TAB

- CN1: FOOT SWITCH
- CN2: +5V EXT
- CN3: THROTTLE IN
- CN4: GND POLY (Not used)
- CN5: REV IN (Not used)

### Navitas TSX DC Shunt Controller



- P1: OTF LOCK
- P2: XCAN\_N
- P3: XCAN\_P
- P4: SPEED SENSOR SIGNAL
- P5: CHARGER INTERLOCK
- P6: REV IN
- P7: FWD IN
- P8: KEY
- P9: GND
- P10: LOGIC POWER
- P11: +5V EXT
- P12: OTF ACCELERATION
- P13: OTF SPEED
- P14: OTF REGEN
- P15: THROTTLE IN
- P16: +12V POLY
- P17: FOOT SWITCH
- P18: GND POLY
- P19: REVERSE BUZZER
- P20: LINE CONTACTOR

### Revision History

- 20210226 Original
- 20210818 Added precharge resistor and OBC connection