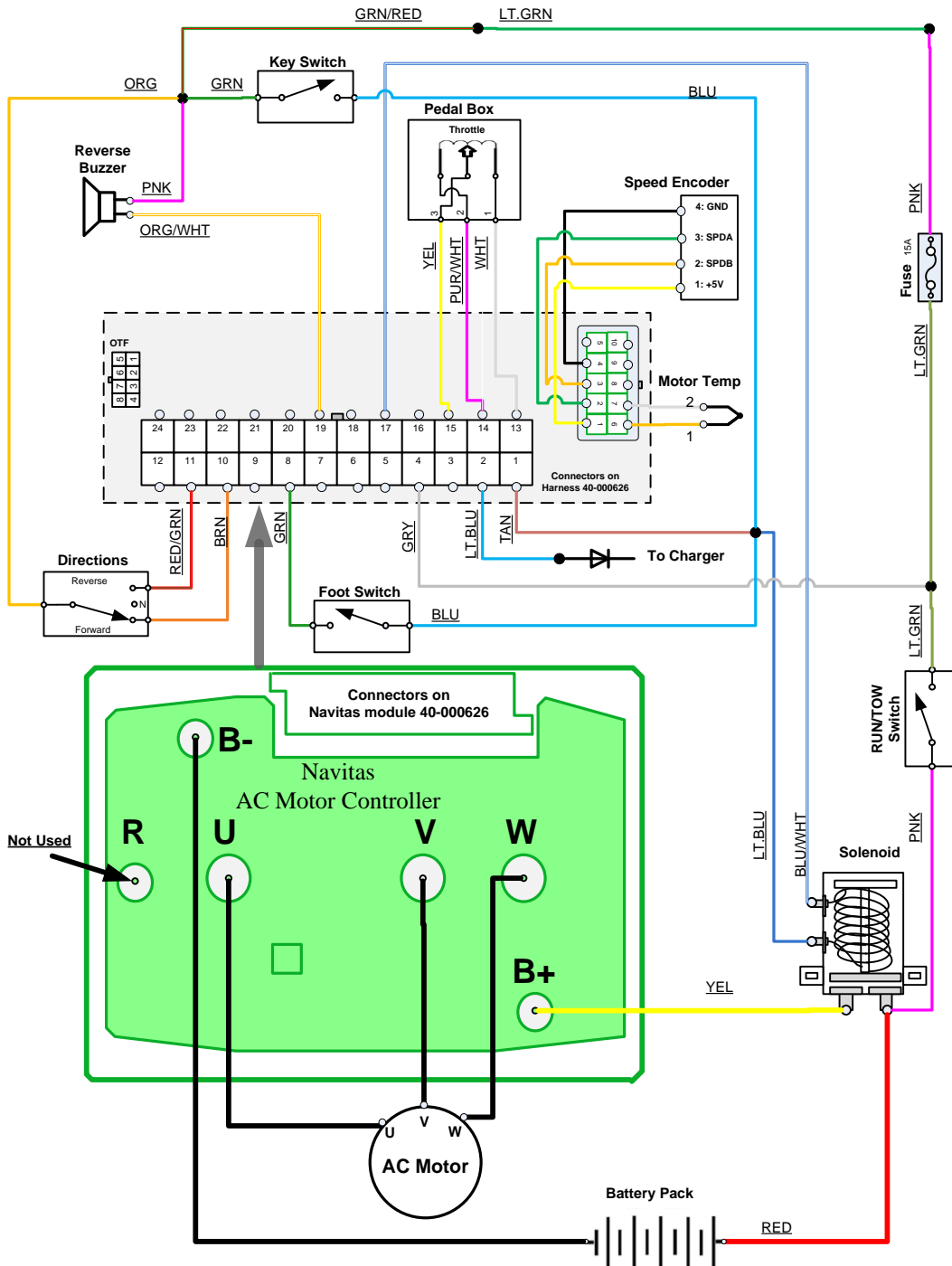


Wiring Diagram – 1268 0-5V Conversion Kit

Using TAC2 Module PN: 40-000626



AC Motor Adapter
Vehicle Harness
On The Fly Programmer

24 POS Molex 39-28-1243

8 POS Molex 39-01-3089 Housing 39-00-0040 Pin

10 POS Molex 39-01-3109 Housing 39-00-0040 Pin

P1: KEY IN
 P2: CHARGER INTERLOCK
 P3: NA
 P4: LOGIC POWER / TOW SW
 P5: LOGIC POWER
 P6: LOGIC POWER
 P7: LOGIC POWER
 P8: FOOT SWITCH
 P9: NA
 P10: FORWARD IN
 P11: REVERSE IN
 P12: LOGIC POWER
 P13: +5V
 P14: GND
 P15: THROTTLE IN
 P16: NA
 P17: MAIN SOLENOID
 P18: NA
 P19: REVERSE BUZZER
 P20: NA
 P21: NA
 P22: NA
 P23: NA
 P24: NA
 (LOGIC POWER for Star EV)

P1: +12V POLY
 P2: OTF REGEN
 P3: OTF SPEED
 P4: OTF ACCELERATION
 P5: +5V EXT
 P6: OTF LOCK
 P7: REVERSE BUZZER
 P8: GND POLY

AC Motor Adapter
 P1: YEL
 P2: GRN
 P3: BRN
 P4: GRY
 P5: NA
 P6: ORG
 P7: WHT
 P8: NA
 P9: NA
 P10: NA

Revision History

20220110 Original