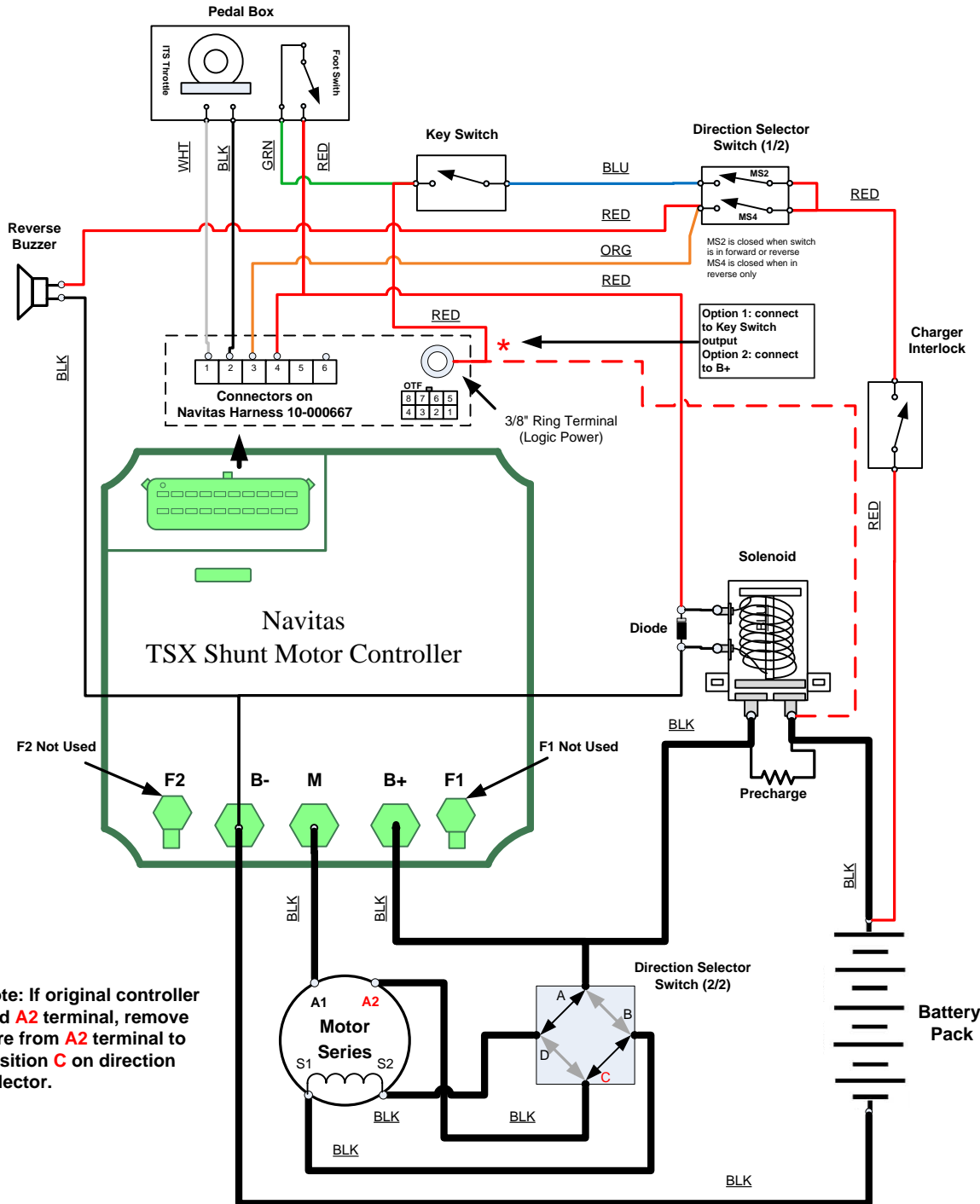
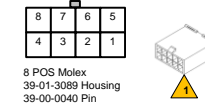
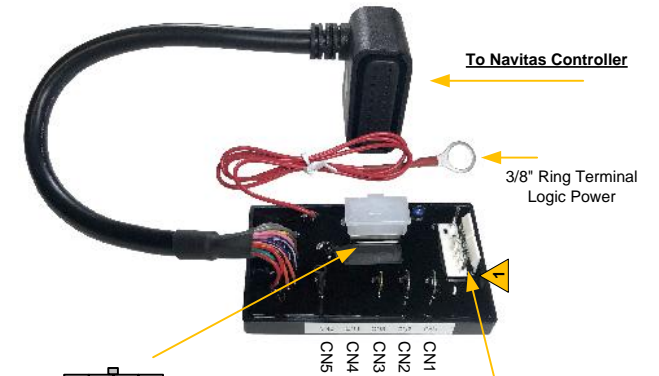


Wiring Diagram – EZGO Series (1994+) with 1206 Controller

Using TSX Harness Navitas PN: 10-000667



Note: If original controller had A2 terminal, remove wire from A2 terminal to position C on direction selector.



On The Fly Programmer (OTF)

- P1: +12V POLY
- P2: OTF REGEN
- P3: OTF SPEED
- P4: OTF ACCELERATION
- P5: +5V EXT
- P6: OTF LOCK
- P7: REVERSE BUZZER
- P8: GND POLY

← To OEM vehicle harness

6 POS Molex
26-60-4060

- P1: ITS THROTTLE -
- P2: ITS THROTTLE +
- P3: REV IN
- P4: FOOT SWITCH
- P5: (Pin removed)
- P6: NA

Navitas TSX DC Shunt Controller



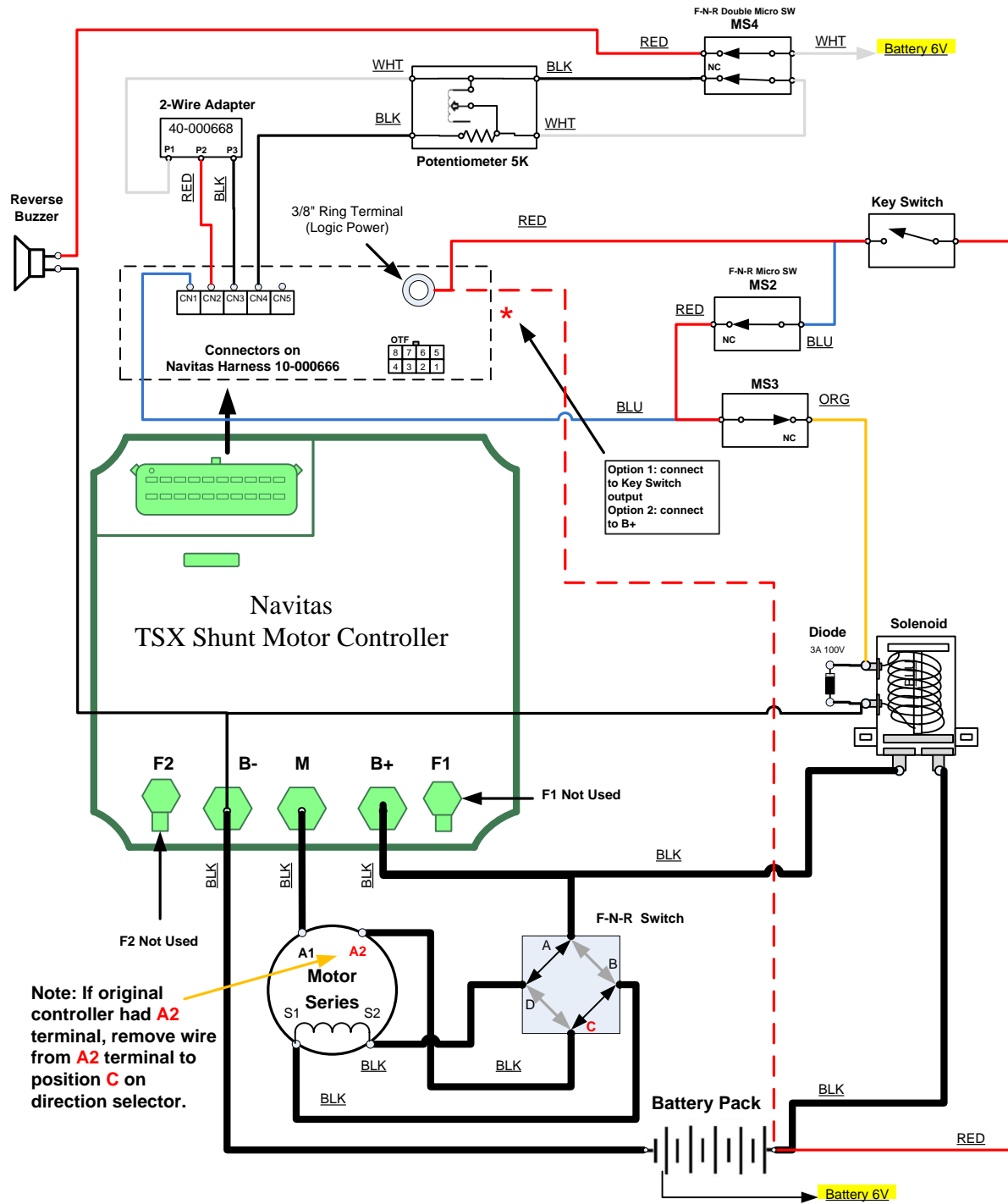
- P1: OTF LOCK
- P2: XCAN_N
- P3: XCAN_P
- P4: SPEED SENSOR SIGNAL
- P5: CHARGER INTERLOCK
- P6: REV IN
- P7: FWD IN
- P8: KEY
- P9: GND
- P10: LOGIC POWER
- P11: +5V EXT
- P12: OTF ACCELERATION
- P13: OTF SPEED
- P14: OTF REGEN
- P15: THROTTLE IN
- P16: +12V POLY
- P17: FOOT SWITCH
- P18: GND POLY
- P19: REVERSE BUZZER
- P20: LINE CONTACTOR

Revision History

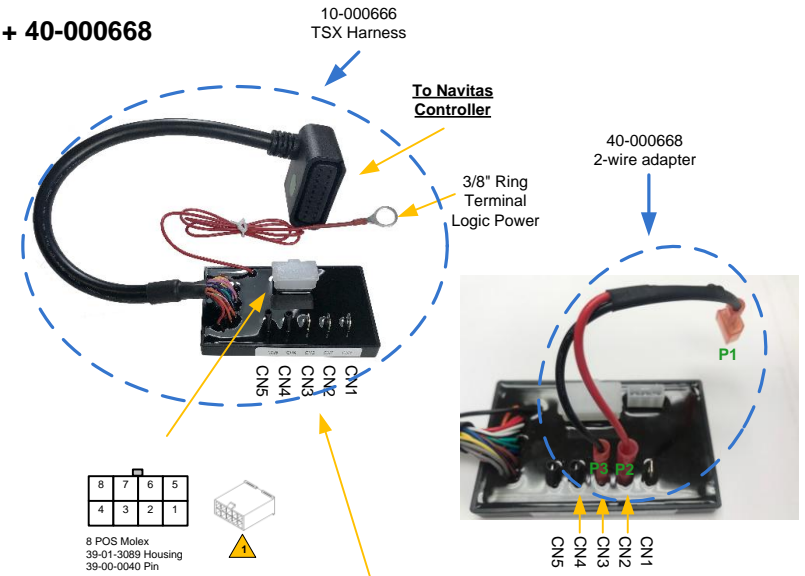
- 20210225 Original
- 20210818 Added precharge resistor

Wiring Diagram – EZGO Series (1989-1993)

Using TSX Harness Navitas PN: 10-000666 + 40-000668



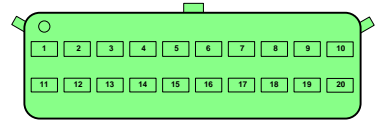
Note: If original controller had A2 terminal, remove wire from A2 terminal to position C on direction selector.



- On The Fly Programmer (OTF)**
- P1: +12V POLY
 - P2: OTF REGEN
 - P3: OTF SPEED
 - P4: OTF ACCELERATION
 - P5: +5V EXT
 - P6: OTF LOCK
 - P7: REVERSE BUZZER
 - P8: GND POLY

- To OEM vehicle harness**
- 62650-1 QC TAB**
- CN1: FOOT SWITCH
 - CN2: +5V EXT-
 - CN3: THROTTLE IN
 - CN4: GND POLY (Not used)
 - CN5: REV IN (Not used)

Navitas TSX DC Shunt Controller



- P1: OTF LOCK
- P2: XCAN_N
- P3: XCAN_P
- P4: SPEED SENSOR SIGNAL
- P5: CHARGER INTERLOCK
- P6: REV IN
- P7: FVID IN
- P8: KEY
- P9: GND
- P10: LOGIC POWER
- P11: +5V EXT
- P12: OTF ACCELERATION
- P13: OTF SPEED
- P14: OTF REGEN
- P15: THROTTLE IN
- P16: +12V POLY
- P17: FOOT SWITCH
- P18: GND POLY
- P19: REVERSE BUZZER
- P20: LINE CONTACTOR

Revision History

20210406 Original