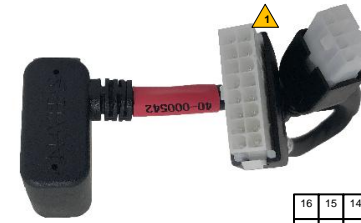
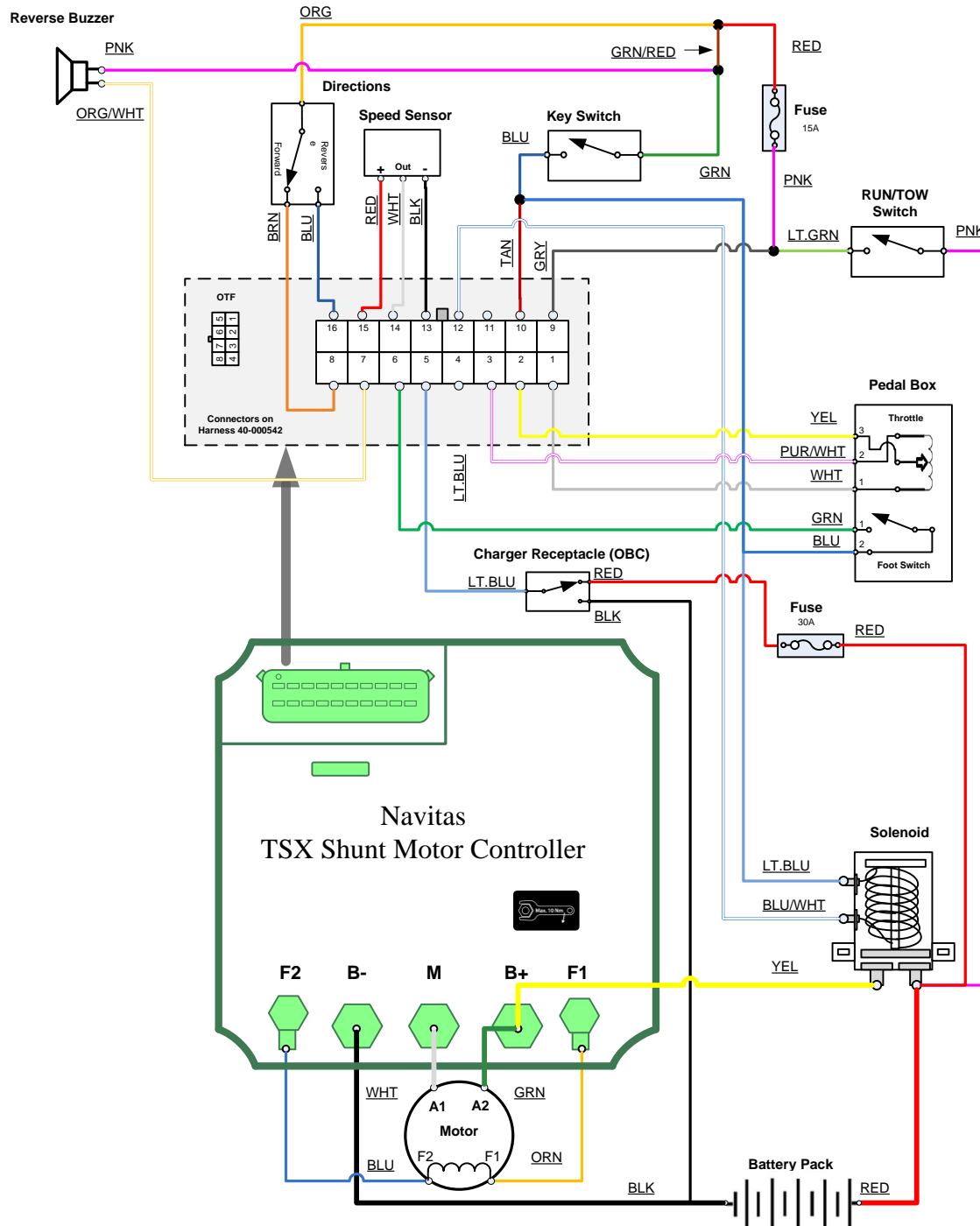


# Wiring Diagram – Club Car Precedent (2014)

Using TSX Harness Module PN: 40-000542



16	15	14	13	12	11	10	9
8	7	6	5	4	3	2	1

16 POS Molex  
39-01-3163 Housing  
39-00-0095 Pin



8	7	6	5
4	3	2	1

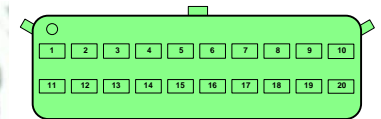
8 POS Molex  
39-01-3089 Housing  
39-00-0040 Pin

### On The Fly Programmer

- P1: +12V POLY
- P2: OTF REGEN
- P3: OTF SPEED
- P4: OTF ACCELERATION
- P5: +5V EXT
- P6: OTF LOCK
- P7: REVERSE BUZZER
- P8: GND POLY

- P1: +5V
- P2: THROTTLE IN
- P3: GND
- P4: NA
- P5: CHARGER INTERLOCK
- P6: FOOT SWITCH
- P7: REVERSE BUZZER
- P8: FORWARD IN
- P9: LOGIC POWER IN
- P10: KEY IN
- P11: NA
- P12: MAIN SOLENOID
- P13: GND
- P14: SPEED SENSOR SIGNAL
- P15: +12V
- P16: REVERSE IN

### Navitas TSX DC Shunt Controller



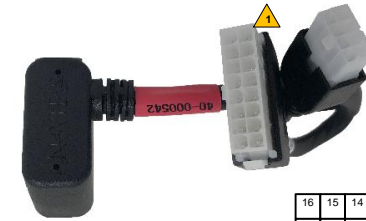
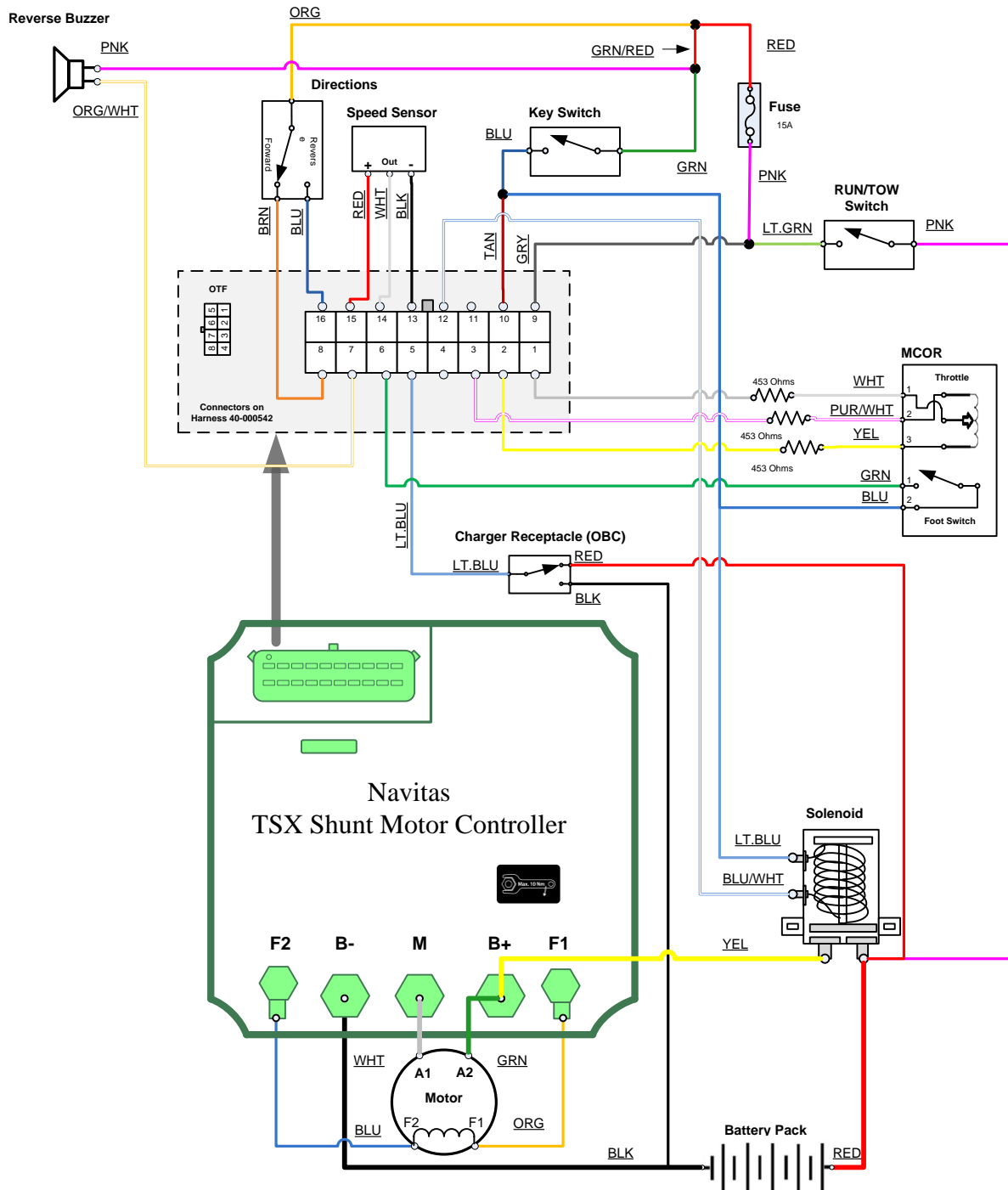
- P1: OTF LOCK
- P2: XCAN\_N
- P3: XCAN\_P
- P4: SPEED SENSOR SIGNAL
- P5: CHARGER INTERLOCK
- P6: REV IN
- P7: FWD IN
- P8: KEY
- P9: GND
- P10: LOGIC POWER
- P11: +5V EXT
- P12: OTF ACCELERATION
- P13: OTF SPEED
- P14: OTF REGEN
- P15: THROTTLE IN
- P16: +12V POLY
- P17: FOOT SWITCH
- P18: GND POLY
- P19: REVERSE BUZZER
- P20: LINE CONTACTOR

### Revision History

20210415 Original

# Wiring Diagram – Club Car Precedent (2013)

Using TSX Harness Module PN: 40-000542



16	15	14	13	12	11	10	9
8	7	6	5	4	3	2	1

16 POS Molex  
39-01-3163 Housing  
39-00-0095 Pin

- P1: +5V
- P2: THROTTLE IN
- P3: GND
- P4: NA
- P5: CHARGER INTERLOCK
- P6: FOOT SWITCH
- P7: REVERSE BUZZER
- P8: FORWARD IN
- P9: LOGIC POWER IN
- P10: KEY IN
- P11: NA
- P12: MAIN SOLENOID
- P13: GND
- P14: SPEED SENSOR SIGNAL
- P15: +12V
- P16: REVERSE IN



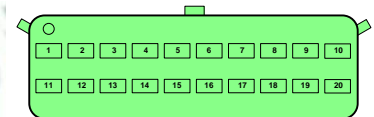
8	7	6	5
4	3	2	1

8 POS Molex  
39-01-3089 Housing  
39-00-0040 Pin

### On The Fly Programmer

- P1: +12V POLY
- P2: OTF REGEN
- P3: OTF SPEED
- P4: OTF ACCELERATION
- P5: +5V EXT
- P6: OTF LOCK
- P7: REVERSE BUZZER
- P8: GND POLY

### Navitas TSX DC Shunt Controller



- P1: OTF LOCK
- P2: XCAN\_N
- P3: XCAN\_P
- P4: SPEED SENSOR SIGNAL
- P5: CHARGER INTERLOCK
- P6: REV IN
- P7: FWD IN
- P8: KEY
- P9: GND
- P10: LOGIC POWER
- P11: +5V EXT
- P12: OTF ACCELERATION
- P13: OTF SPEED
- P14: OTF REGEN
- P15: THROTTLE IN
- P16: +12V POLY
- P17: FOOT SWITCH
- P18: GND POLY
- P19: REVERSE BUZZER
- P20: LINE CONTACTOR

### Revision History

20210310 Original